

# **Rocket Man Plus M1001 Operating Manual**



*For Information or Service:*

## **Rocket Man Equipment Company**

103 N. 32nd St

Louisville, KY 40212 USA

[www.rocketman.com](http://www.rocketman.com)

Email to: [sales@rocketman.com](mailto:sales@rocketman.com)

Call Toll Free: 800-921-0199 Fax us at 502-775-7519

**INTERNATIONAL CALLING: 502-774-1499**



Greetings:

We sincerely believe that once you use the *Rocket Man M1001 Backpack Drink Dispenser* to promote your beverage products, you will share our enthusiasm for its unique flexibility.

The purpose of this manual is to clearly explain the current standards of operation and provide the basis for maintaining consistency and uniformity of beverage quality.

I encourage you to consult our website from time to time at **[www.rocketman.com](http://www.rocketman.com)**. We are constantly updating and improving the operating manual and adding new products and services.

If you have questions or need more information, our team can help you by telephone, fax, or e-mail.

Thank you for your business.



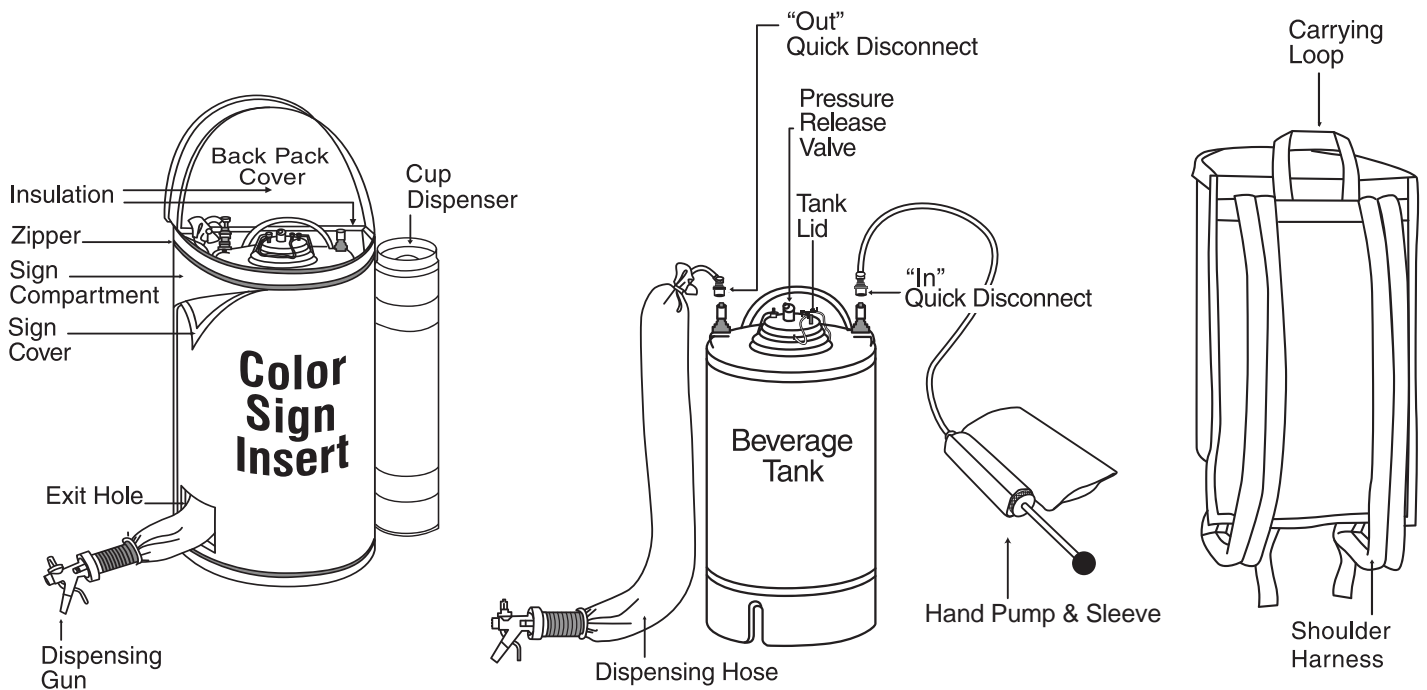
## TABLE OF CONTENTS

A) What Is Included.....	.....
B) Accessories .....	.....
C) Fitting Backpack Harness Assembly .....	.....
D) Filling Beverage Tank — Non-Carbonated & Carbonated Beverages.....	.....
E) Cleaning and Sanitization of the Equipment.....	.....
F) Troubleshooting.....	.....
G) Warranty.....	.....
H) Spare Parts.....	.....

## A. WHAT IS INCLUDED

Each **Rocket Man M1001** Backpack Drink Dispenser comes with the following:

- 3 Gallon (11.25 liters) Stainless Steel Beverage Tank
- Insulated backpack cover
- Harness assembly with shoulder & chest straps, hip belt and lumbar support
- Sign compartment (clear vinyl)
- Cup dispenser
- Dispensing hose and gun
- Slip on sleeve with manual hand pump



## B. ACCESSORIES



**Spare Beverage Tank  
(3 Gallon)  
#1110**

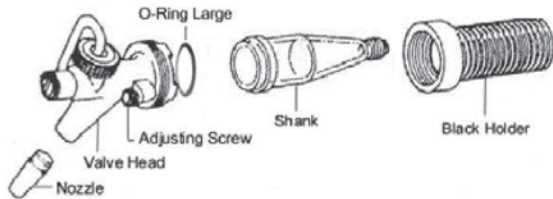
Minimize downtime by prefilling spare tanks.



**Rocket Pump #1130**

The Rocket Pump is used to pressurize the Beverage Tank for serving non-carbonated beverages.

**Dispenser Hose and Gun  
#1202**



**Sleeve with  
Manual Pump  
#1131**



**Apron #1113**

Enables the operator to carry money, coupons, straws, lids, condiments, etc.



**Cleaning Solution #1112**

Specifically designed for cleaning stainless steel foodservice equipment and beverage lines.

**Custom Sign Insert #1118**

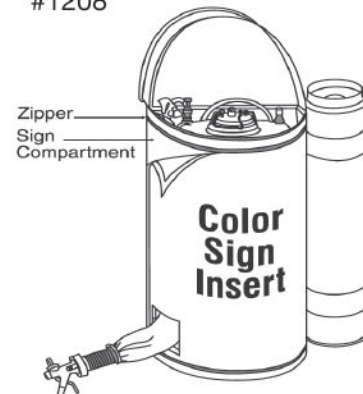
Height: 27.5" W X 16.5" H

Full color process.

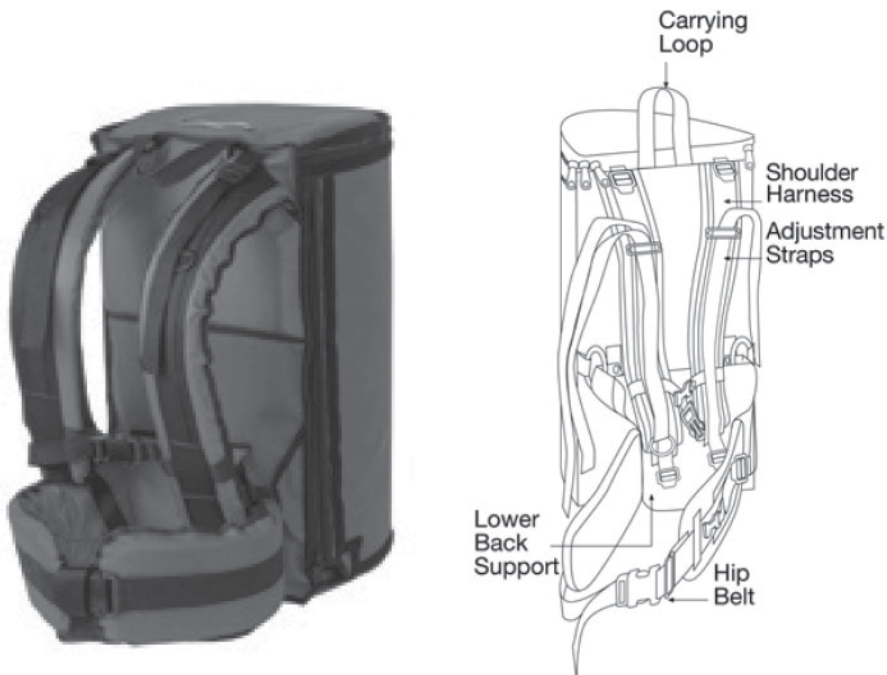
Customer artwork or we can create a custom design.



**Sign Cover (Replacement)  
#1208**



## **C. FITTING BACKPACK HARNESS ASSEMBLY**



1. Loosen straps on harness assembly.
2. Place backpack over your shoulders - slip shoulder straps over arms.
3. Connect the hip belt around the your waist and pull straps tight so that the hip bears most of the weight.
4. Tighten shoulder and chest straps (not shown).
5. Tuck in loose straps for a neat appearance.

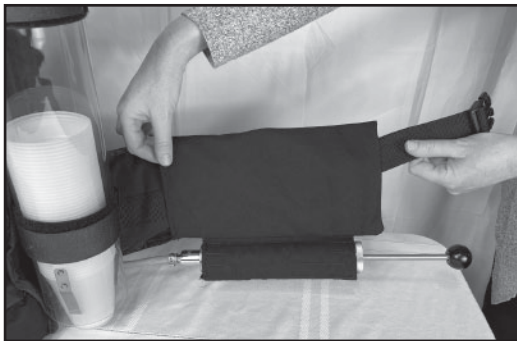


## ***D. FILLING BEVERAGE TANK Carbonated & Non-carbonated***

The following components are included with the M1001 Rocket Man backpack:  
insulated backpack, beverage tank which holds 3 gallons, cup dispenser which holds 2-10 ounce cups, hose assembly with quick disconnect fitting, and slide-on sleeve with the pump to pressurize the tank.



1. The first step is to release any pressure from the tank by pulling on the pressure release ring. To open the lid pull the handle and using the palm of your hand push down, then pull the lid out. Fill up to 2.5 gallons of your beverage, replace the lid, and firmly push the latch down.
2. Open the backpack and insert the hose into the backpack. Then place the tank into the backpack and connect the black quick-connect hose to the out valve of the beverage tank.
3. Next, slide the outer sleeve holding the pump onto the adjusting strap snugly. Then thread the hose thru the bottom of the backpack and connect the gray quick connect to the "IN" valve of the tank. Pump five or six times until the flow is at the desired level. Then continuously repump as needed when the flow lessens. Close and zip the lid, attach the cup holder using the supplied velcro straps, and fill the cup dispenser with cups.



4. Adjust the straps to fit your personal comfort.

## **E. CLEANING AND SANITIZATION (RECOMMENDED AFTER EACH EVENT)**

1. Rinse out the *Beverage Tank* with hot water (130 degrees Fahrenheit).
2. Pour ½ gallon of hot water into the *Beverage Tank* and add a cleaning concentrate (suitable for stainless steel foodservice equipment).
3. Replace the *Tank Lid* and pull the latch down to lock into place.
4. Shake the *Beverage Tank* vigorously for ten seconds. Allow solution to remain in the *Beverage Tank* for an additional three minutes.
5. Pressurize the *Beverage Tank* 50 psi with the *Rocket Pump* or Gas Filling Line.
6. Connect the *Dispensing Hose* to the “OUT” on the *Beverage Tank*.
7. Flush all of the liquid through the *Dispensing Hose* by squeezing the trigger on the *Dispensing Gun*.
8. Remove the *Tank Lid* and rinse out the remains of the cleaning concentrate. Pour an additional ½ gallon of hot water into the *Beverage Tank* (Do not add cleaning solution).
9. Repeat Steps 5,6 & 7 (above). Flush all of the water through the *Dispensing Hose* and *Gun*.
10. Cleaning and sanitation is complete. Allow *Beverage Tank* to dry before replacing lid.

### **Cleaning Five or More Dispensing Hoses:**

1. Gather four beverage tanks or premix soft drink tanks.
2. Fill the first tank with water. Fill second tank with several ounces of a cleaning solution mixed with water. Fill third tank with water. The fourth tank is empty.
3. Connect the dispensing hose/gun to the first tank (water). Squeeze trigger until clean water runs through, then disconnect.
4. Connect dispensing hose/gun to the second tank (cleaning solution mixed with water). Squeeze trigger and flush until solution runs through. Disconnect and pause for 60 seconds, or more.
5. Connect dispensing hose/gun to the third tank (water). Squeeze trigger and flush until clean water runs through; disconnect.
6. Connect dispensing hose/gun to the fourth tank (nitrogen, air or Co2). Squeeze trigger and flush until no more liquid comes out; disconnect.



## **F. TROUBLESHOOTING**

### **1. NO LIQUID COMES OUT**

- Check the connection of the Dispensing Hose (Black Quick Disconnect "OUT" Fitting) on the "OUT" valve of the Beverage Tank to be sure its properly connected.
- Increase the flow by turning the adjusting screw on the Dispensing Gun counter-clockwise. DO NOT REMOVE ENTIRELY.
- Do not increase pressure.
- Be sure the latch on Tank Lid is shut tightly and the Pressure Release Valve is closed to prevent compressed air from escaping.
- Check the dilution of beverage concentrates as improperly mixed syrups, powders, and concentrates can clog the Dispensing Hose and Gun. Remove coffee grounds, if necessary.

### **2. BEER OR SOFT DRINKS HAVE TOO MUCH FOAM**

- Foam is caused by either warm temperatures or over pressurization.
- Monitor the temperature of liquids sitting idle in the dispensing hose. Discarding an ounce or two of warm beer or soda may be required if proper serving temperature is not maintained in extreme heat or cold.
- If pre-filled beverage tanks are used, make sure they are kept chilled in a container with crushed ice or re Fridgerated (see at 33 degrees).
- If you are not selling three gallons of beverage product within one hour, you may want to fill the beverage tank halfway in order to reduce the amount of time the liquid spends in the backpacks.

### **3. THE DISPENSER HOSE/GUN LEAKS**

- If leak comes from the base of dispenser gun: Dismantle gun and tighten fittings (See video or web-site if you need more instruction).
- If leak comes from black quick disconnect fitting: tighten fitting with a wrench.
- If leak comes from inside of the insulation, return hose to Rocket Man for service.



## **G. WARRANTY**

### **Full Three Year Warranty On All Components**

For three years from the date of purchase, Rocket Man, Inc. will repair or replace any component, free of charge, if defective in material or workmanship.

Repairs necessitated by normal wear, accident, improper care or negligence, are not covered under this guarantee, and products returned under these conditions will be repaired or replaced for a reasonable charge.

Warranty registration is not necessary to receive the privileges of the Warranty.

*For Information or Service:*

### **Rocket Man Equipment Company**

103 N. 32nd St

Louisville, KY 40212 USA

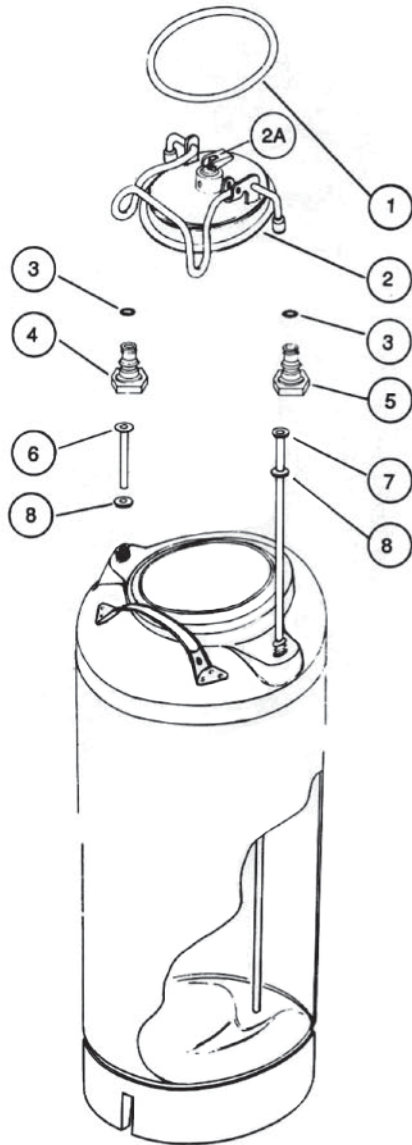
[www.rocketman.com](http://www.rocketman.com)

Email to: [sales@rocketman.com](mailto:sales@rocketman.com)

Call Toll Free: 800-921-0199 Fax us at 502-775-7519

**INTERNATIONAL CALLING: 502-774-1499**

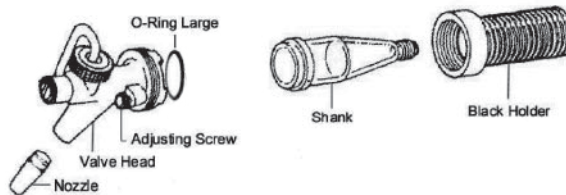
## H. SPARE PARTS



3-Gallon Beverage Tank

SPARE PARTS FOR 3 GALLON BEVERAGE TANK:		
Description	Item #	Diagram #
Complete Beverage Tank	1110	All
Black O-Ring	1110-02	1
Lid	1110-12	2
Purge Device	1110-13	2-a
Gasket for Plugs	1110-01	3
Inlet Plug Assembly	1110-06	4
Outlet Plug Assembly	1110-07	5
Metal Level Tube (L: 1-3/16")	1110-10	6
Dip Tube	1110-09	7
O Ring for Level and Dip Tubes	1110-08	8
Outlet Boss	1110-04	9
Inlet Boss	1110-05	10

### DISPENSING GUN



Spare Parts For Dispensing Gun:	
Description	Item #
Complete Squeeze Valve	1201
Adjusting Screw	1201-13
Nozzle	1201-03
Compensator	1201-11
Valve Head Assembly	1201-15
O-Ring (Large)	1201-17

*For Information or Service:*

**Rocket Man Equipment Company**

103 N. 32nd St

Louisville, KY 40212 USA

[www.rocketman.com](http://www.rocketman.com)

Email to: [sales@rocketman.com](mailto:sales@rocketman.com)

Call Toll Free: 800-921-0199 Fax us at 502-775-7519

INTERNATIONAL CALLING: 502-774-1499